

PRE-AMPLIFIER SECTION

MARFAB

Underwater Communications Unit

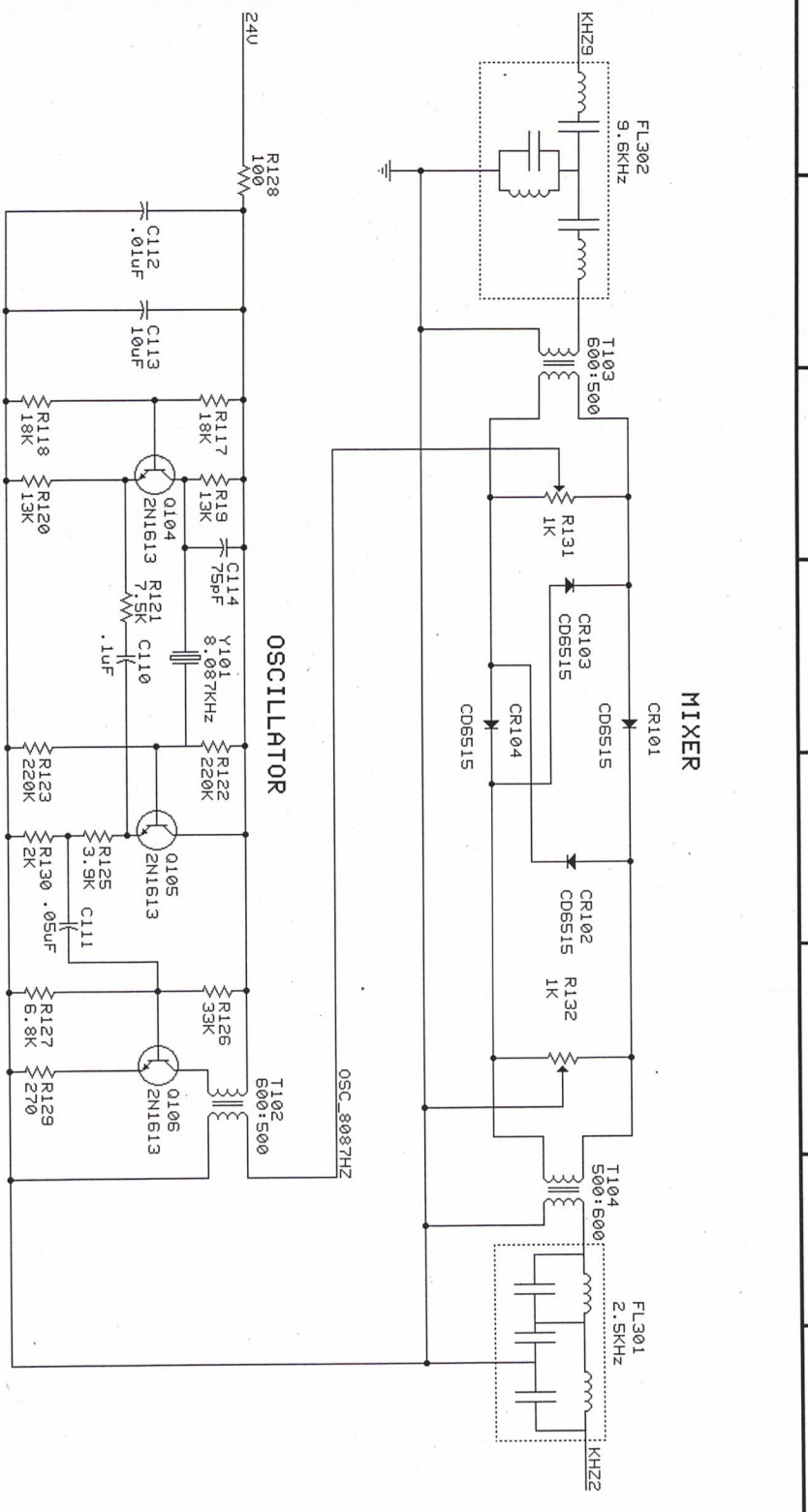
100-100-001 REV 1A

DATE: 06/12/93 22:08:18 SHEET 01 OF 4

8 7 6 5 4 3 2 1

A

A



OSCILLATOR

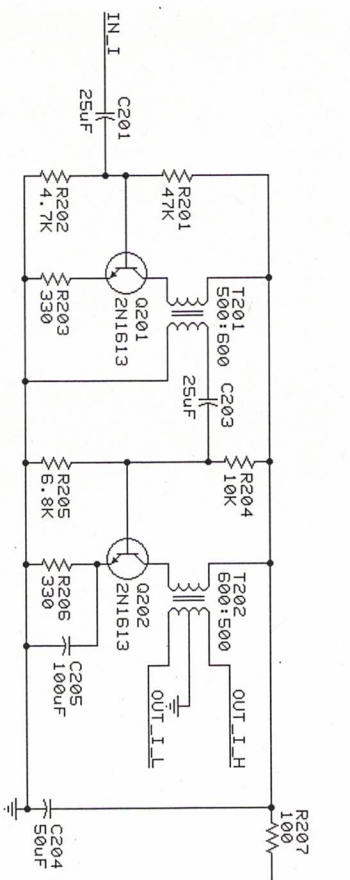
MIXER

MARFAB

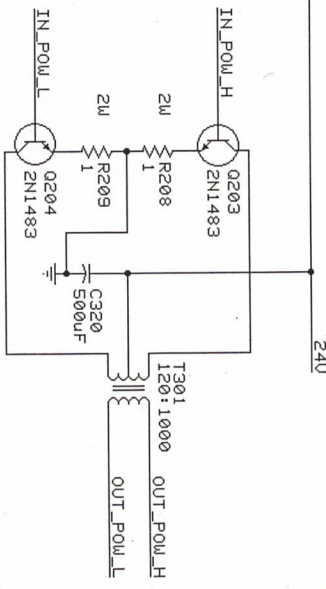
Underwater Communications Unit

100-100-001 REV 1A

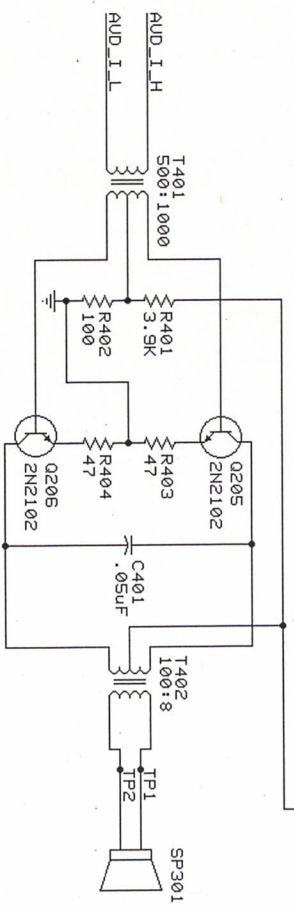
DATE: 12/26/95 22:56:04 SHEET 02 OF N



Intermediate Amplifier



Output Power Amplifier



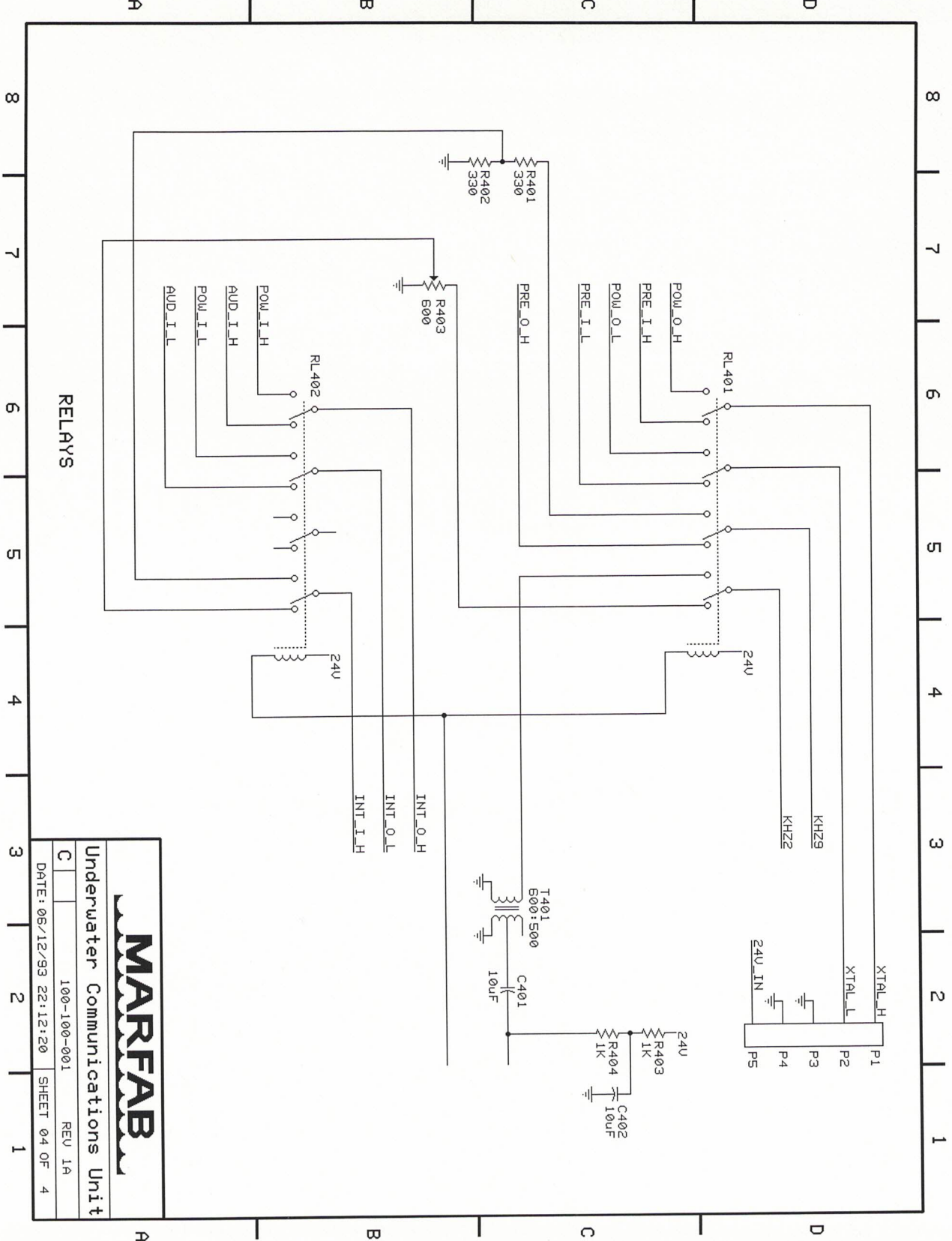
Audio Amplifier

MARFAB

Underwater Communications Unit

100-100-001 REV 1A

DATE: 12/25/95 22:56:14 SHEET 03 OF N



RELAYS



Underwater Communications Unit

100-100-001 REV 1A
 DATE: 06/12/93 22:12:20 SHEET 04 OF 4